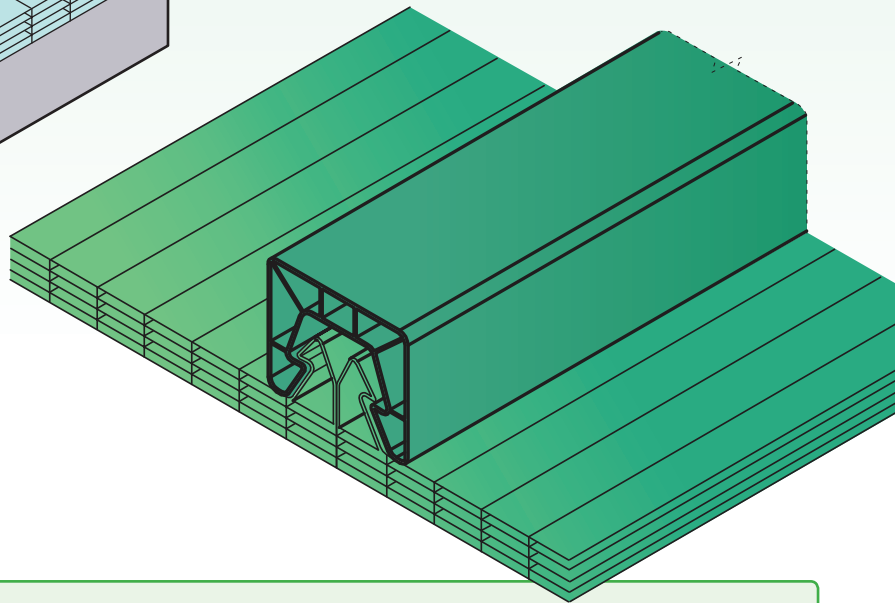
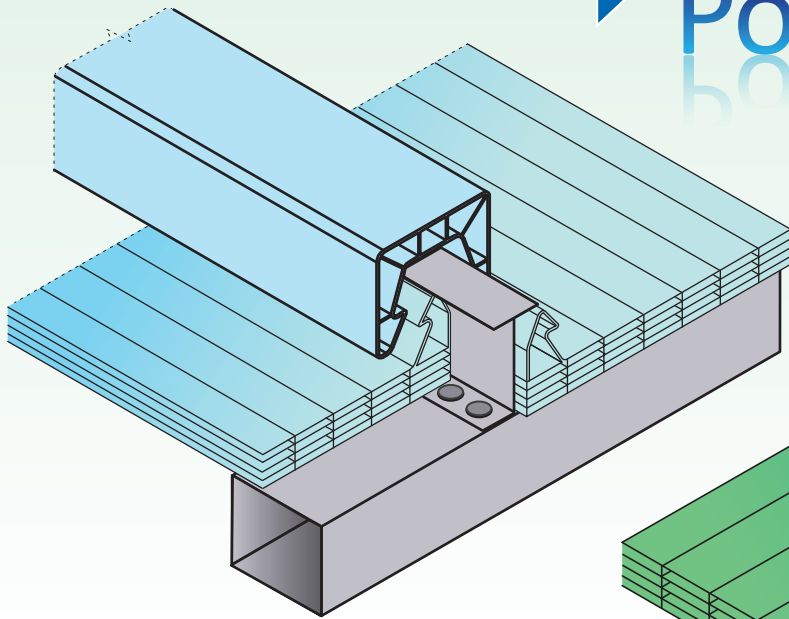


## AMPELite PolyRib



Liability clause: all the indications and technical consultancy provided is given in good faith and according to the best available knowledge; however, as we have no control over our own materials' use by others, all responsibility is declined for their applications. The indications do not exonerate the purchaser from carrying out his own checks in order to determine the compliance of the materials with his own requirements and with current applicable standards. Ampelite Australia Pty Ltd reserves the right to make modifications without prior notice to its own products and the contents of the documentation.



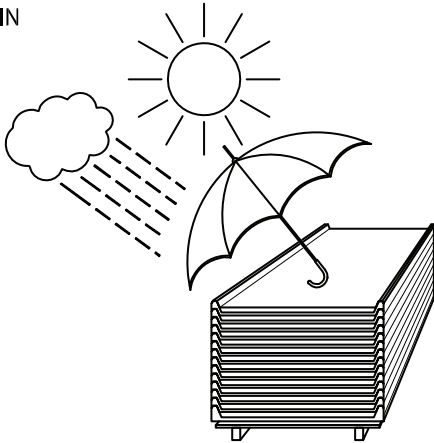
Ampelite Australia Pty Ltd  
ABN 91 487 122 629

<b>VIC &amp; TAS</b>	Tel 03 8710 9110	Fax 03 9794 0710	<b>NSW &amp; ACT</b>	Tel 02 9625 7200	Fax 02 9625 7211
<b>QLD</b>	Tel 07 3382 8300	Fax 07 3200 8703	<b>Nth QLD</b>	Tel 07 4774 5007	Fax 07 4774 7898
<b>SA &amp; NT</b>	Tel 08 8260 7391	Fax 08 8260 7397	<b>WA</b>	Tel 08 9302 6833	Fax 08 9302 6855
<b>NZ</b>	Tel 09 634 5366	Fax 09 622 2060	<a href="http://www.ampelite.com.au">www.ampelite.com.au</a>		

## BEFORE STARTING:

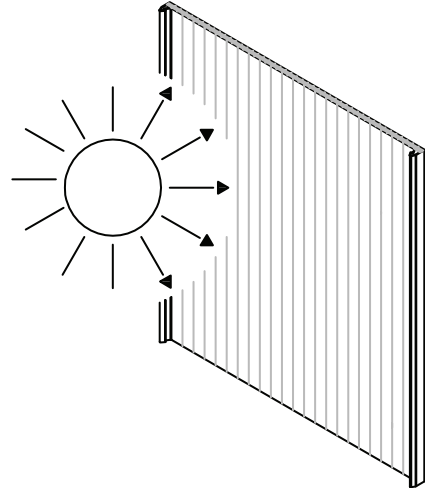
### STORAGE:

PROTECT SHEETS FROM SUN AND RAIN



### PROTECT SIDE:

AMELITE PolyRib IS UV PROTECTED ON BOTH SIDES

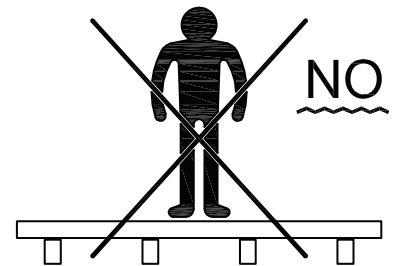
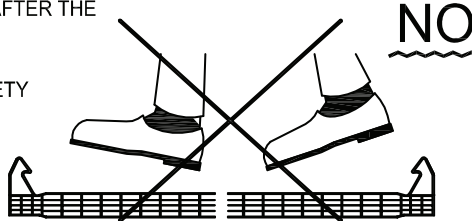


### SAFETY:

IT IS FORBIDDEN TO WALK ON AMPELITE PolyRib POLYCARBONATE SHEETS

DO NOT WALK ON SHEETS BEFORE AND AFTER THE INSTALLATION

DURING THE INSTALLATION USE ALL SAFETY DEVICES PROVIDED BY LAWS IN FORCE

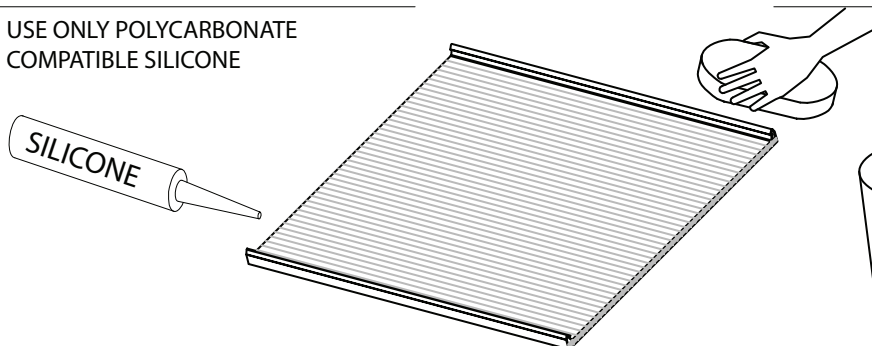


### CARE OF THE PRODUCT:

POLYCARBONATE SUFFERS THE CHEMICAL AGGRESSION OF CERTAIN PRODUCTS SO:

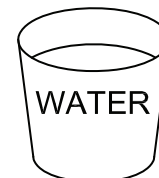
#### 1. SILICONE:

USE ONLY POLYCARBONATE COMPATIBLE SILICONE



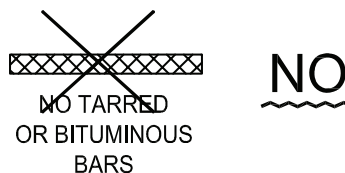
#### 2. CLEANING OF SHEETS:

FOR THE CLEANING OF THE SHEETS USE WATER



#### 3. GASKETS :

DO NOT USE TARRED OR BITUMINOUS GASKETS

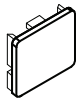




AMPELITE PolyRib SHEET



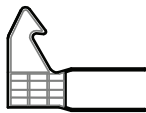
FASTENING CLAMP IN STAINLESS STEEL



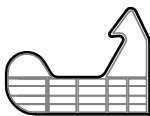
POLYCARBONATE CLOSING CAP



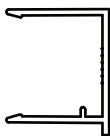
POLYCARBONATE JOINING STRIP



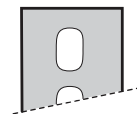
POLYCARBONATE EDGE CLOSURE



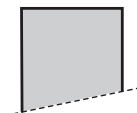
POLYCARBONATE END STRIP



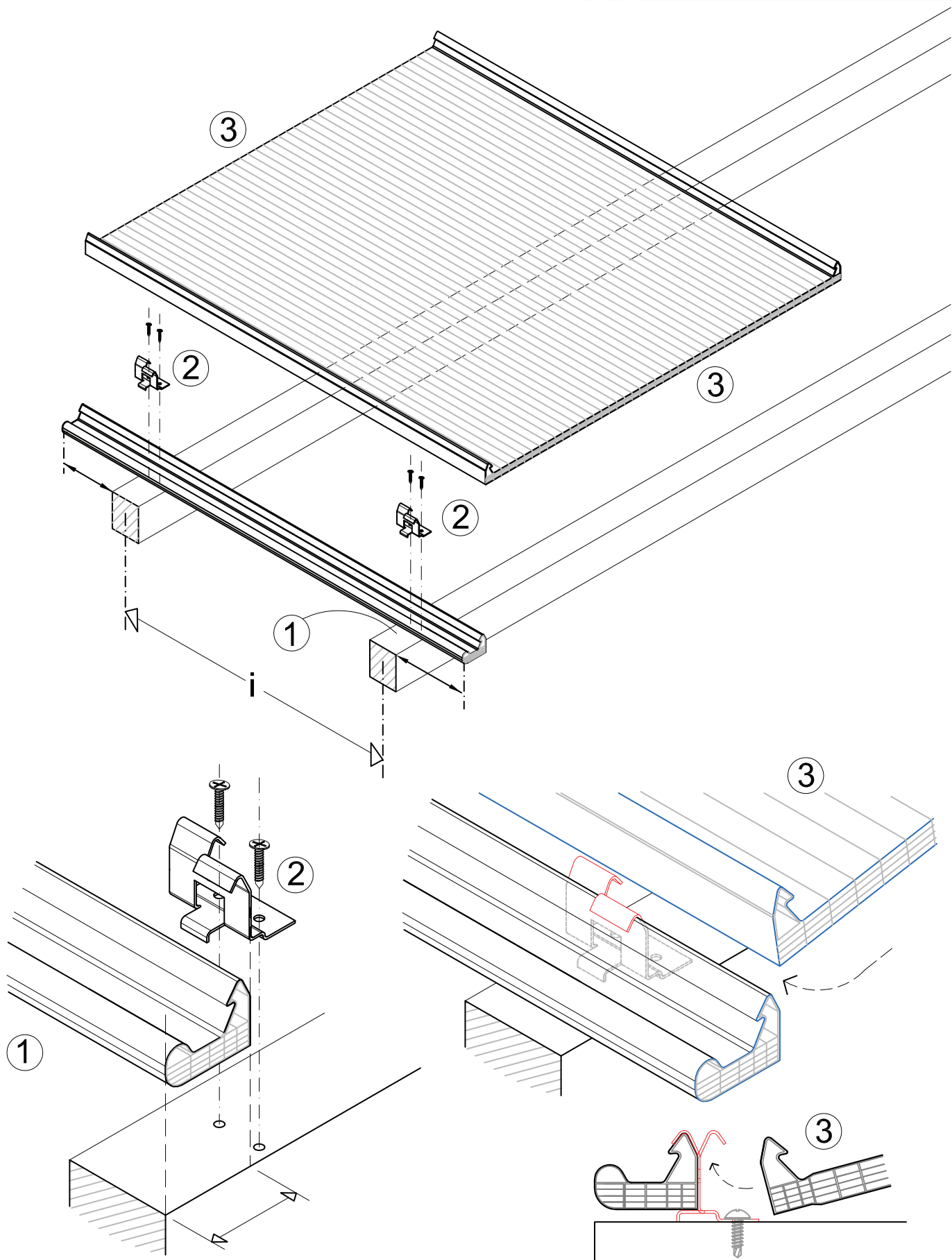
TOP & BOTTOM CLOSING CHANNEL IN  
ANODISED ALUMINIUM



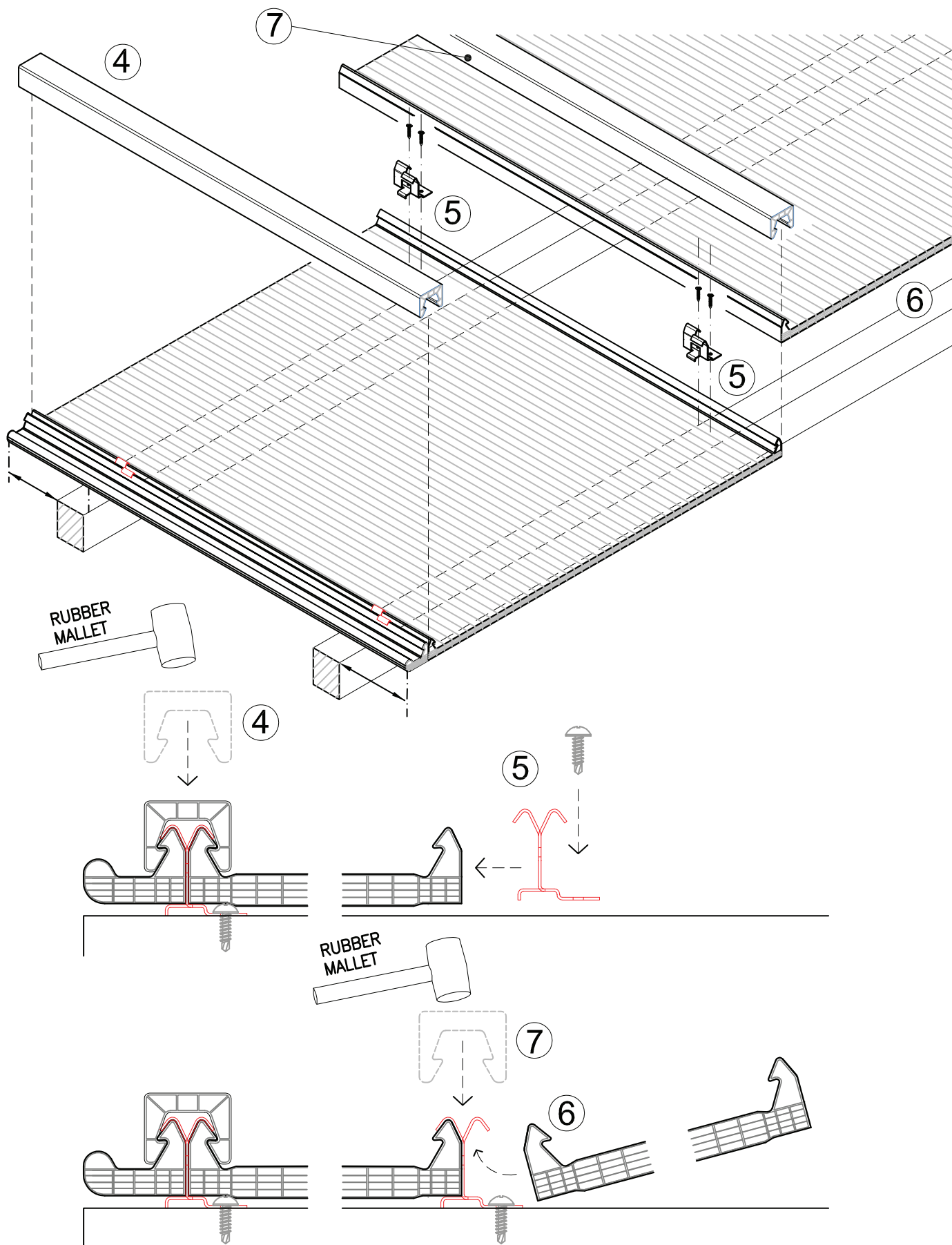
BREATHER TAPE



SEALING TAPE



## INSTALLATION



## INSTALLATION

